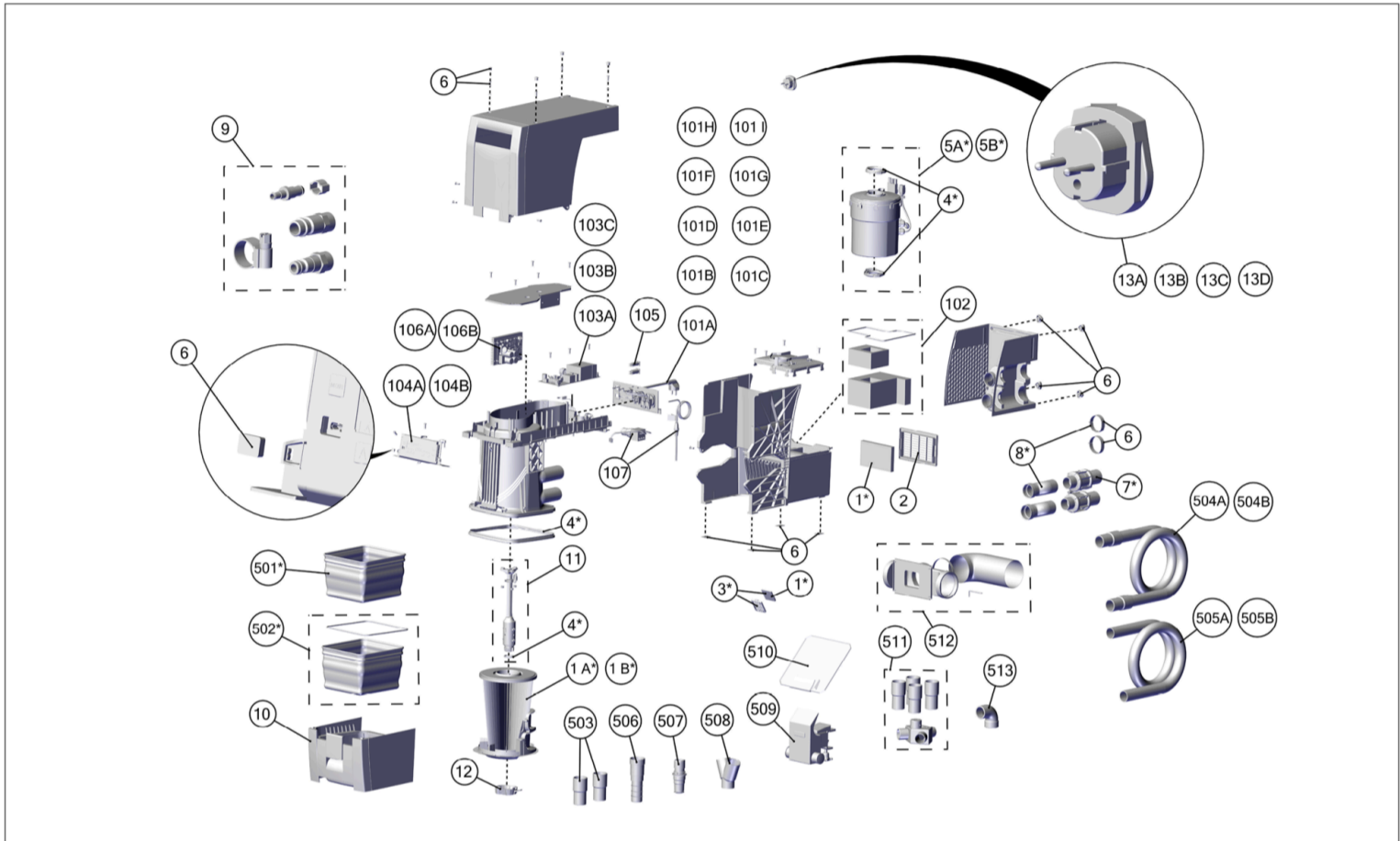


Spare parts 29370000 Version A



Reparaturzeichnung • Repair services drawings • Eclatés pour les services de réparation • Esplosi per servizi d'assistenza
 Diseños para servicios de reparaciones • Загрузка чертежей для ремонтных мастерских

2937 X000 SILENT EC2



21-8676 02092024 / A

Position	Product name	Item number
1A	Fine filter Class M for TC, TC2, EC2, powerCAM EC	900021584 *
2	Exhaust air filter set SILENT EC2, powerCAM EC	900037625
3	Air filter for electronics complete	900034224 *
4	Retainer rings set SILENT EC2, powerCAM EC	900037616 *
5A	Motor unit SILENT EC2, powerCAM EC 230 V	900021630 *
5B	Motor unit SILENT EC2, powerCAM EC - 100/120 V	900021678
	Hardware kit SILENT EC2, powerCAM EC	900038671



Position	Product name	Item number
7	Pinch valve, straight SILENT TS2 / SILENT TC2 / SILENT V4	900021526 *
8	Air intake duct for SILENT TC / TC2 / EC2 / powerCAM EC	29370001 *
9	Pneumatic connection set	21068
10	Dust drawer SILENT EC2, powerCAM EC	900037423
11	Vibration motor for cleaning SILENT EC2, powerCAM EC	900021589
12	Filter nut	900037757
13A	Schuko adapter / UK	900033552
13B	Schuko adapter / China	900033553
13C	Schuko adapter / South Africa	900033555
13D	Schuko adapter / Suisse	900033556
101A	Power cable 230V	900033425
101B	Power cord 120V	900033426
101C	Power cord UK	900033543
101D	Power cord Millo / pro / China	900033544
101E	Power cord Millo / pro / Brazil	900033545
101F	Power cord Millo / pro / South Africa	900033546
101G	Power cord Millo / pro / Suisse	900033547
101H	Power cord Argentine	900033560
101I	Power cord 3x1,5qmm / AUS/NZL	900036979
102	Extraction air maze SILENT EC2, powerCAM EC	900037795
103A	Printed circuitboard SILENT EC2 - 230 V	900037750
103B	Printed circuitboard SILENT EC2 - 120 V	900037751
103C	Printed circuitboard SILENT EC2 - 100 V	900038729
104A	Control unit cpl. SILENT EC2	900021641
104B	Control unit SILENT EC2 - 100 V	900021690

Position	Product name	Item number
105	Appliance protective switch 15A	900034668
106A	EC-Controller 230 V SILENT EC2; powerCAM EC	900037770
106B	EC-Controller SILENT EC2, powerCAM EC – 100-120V	900037941
107	Pneumatic unit Silent TS2	900036814
501	Waste bag for TC, TC2, EC2 & powerCAM EC (25 pcs)	29340014 *
502	Waste bag for SILENT TC, TC2, EC2 Starter Kit	29340015 *
503	End bushing set, 2 pieces	29210003
504A	Suction Hose	900034240
504B	Suction hose, antistatic, 3 m, incl. 2 end mufflers	900034826
505A	Suction hose inside diameter 38 mm, 6 m	901150823
505B	Suction hose inside diameter 38 mm, 9 m	902150823
506	Adapter for hose connection	900034305
507	Universal suction hose adapter	900034430
508	Y-junction	900034314
509	Extractor clamp	29250000
510	Glass pane with attachment	29251000
511	Y-Junction for dust extractor	29260000
512	External air duct for SILENT TC/TC2/EC2/powerCAM EC	29370002
513	90° angled connector Silent	29340007

* Wear and tear parts, excluded from the guarantee.