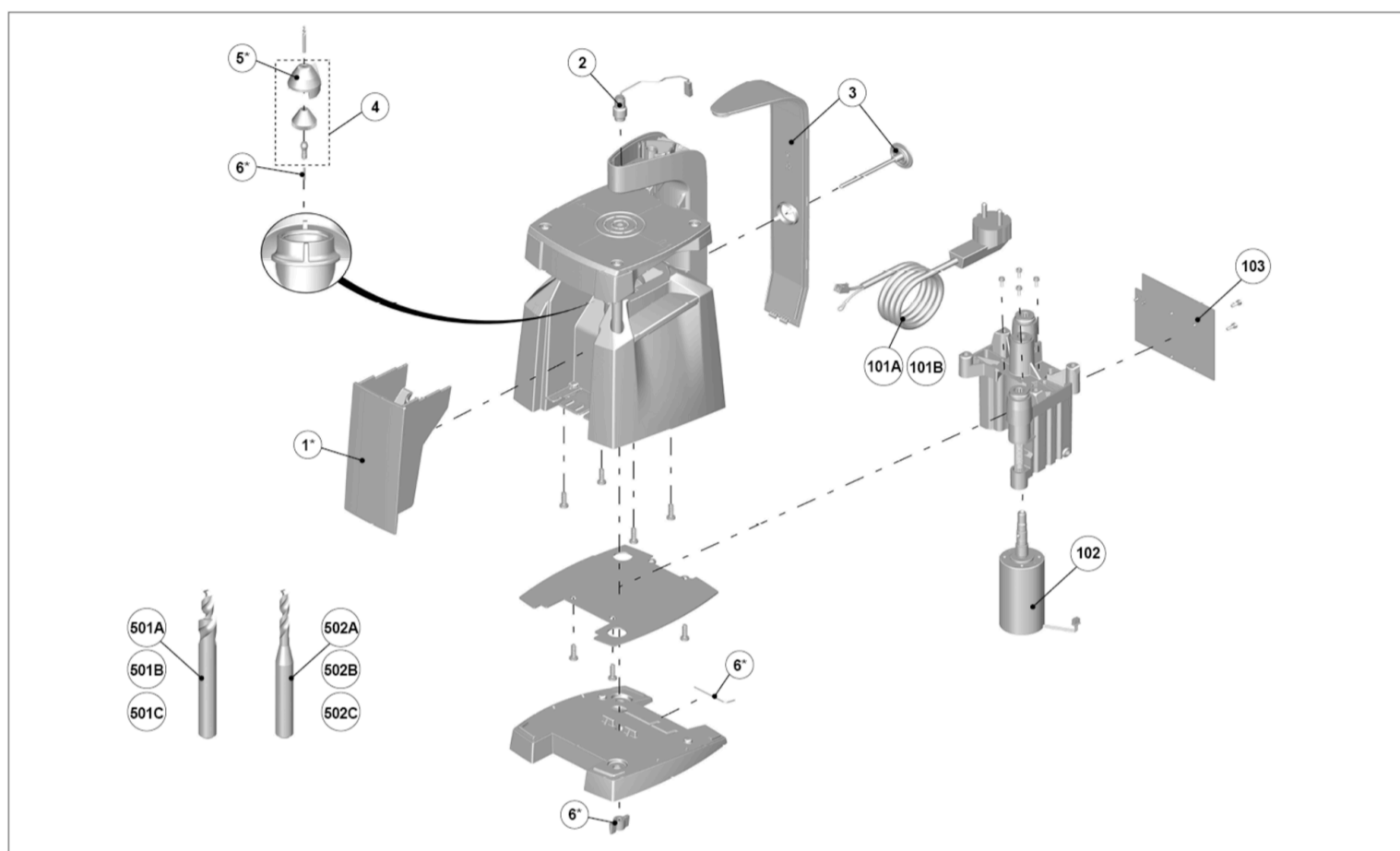


# Spare parts 18400000 Version A



Reparaturzeichnung • Repair services drawings • Eclatés pour les services de réparation • Esplosi per servizi d'assistenza  
 Diseños para servicios de reparaciones • Загрузка чертежей Для ремонтных мастерских

1840 0000 / 1840 1000 Top spin



21-58603 18012018 / A

Position	Product name	Item number
1	Dust Drawer Top spin	900037271 *
2	Laser module	900021458
3	Laser arm cover	900037267
4	Set of collet and chuck	900037268
5	Dust protection hood	900037575 *
6	Hardware kit	900037334 *
101A	Mains cable 230V	900037576
101B	Mains cable 120V	900037578
102	Drilling unit complete	900021528



<b>Position</b>	<b>Product name</b>	<b>Item number</b>
103	Printed circuit Top spin	900037258
501A	Pin step drill size 1,98 (3 pcs.)	50100198 *
501B	Pin step drill size 2,00 (3 pcs.)	50100200 *
501C	Pin step drill size 2,02 (3 pcs.)	50100202 *
502A	Smart-Pin drill size 1,57 (3 pcs.)	3670157 *
502B	Smart-Pin drill size 1,59 ( 3 pcs.)	3670159 *
502C	Smart-Pin drill size 1,61 (3 pcs.)	3670161 *

\* Wear and tear parts, excluded from the guarantee.